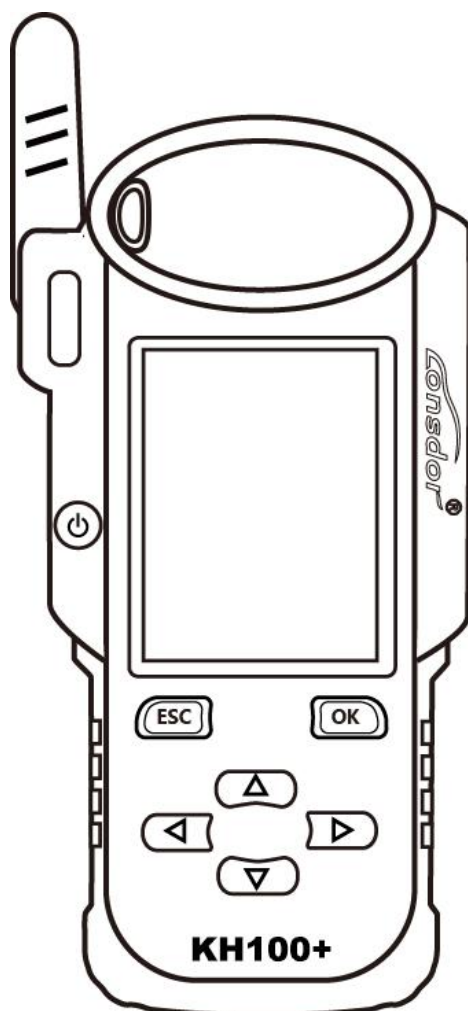


KH100+全功能钥匙助手

用户手册



★使用前请仔细阅读完本使用说明书

版权所有

领世达对其发行的或与合作公司共同发行的包括但不限于产品或服务的全部内容以及领世达所属相关网站上的材料、软件等拥有版权等知识产权，受法律保护。未经本公司书面许可，任何单位及个人不得以任何方式或理由对上述产品、服务、信息、材料的任何部分进行拷贝、修改、抄录、传播或与其他产品捆绑使用、销售等。凡侵犯本公司版权等知识产权的，我司必依法追究其法律责任！

产品

领世达 KH100+全功能钥匙助手及其相关资料仅用于汽车正常维修、诊断及检测，切勿用于违法违规行。若因使用我司产品触犯法律法规，本公司不承担任何法律责任。本产品有一定的可靠性，但不排除可能产生的损失和破坏，对此产生的风险由用户自行承担，本公司不承担任何风险及责任。

声明单位：领世达法律事务部

安全须知

使用此产品前，请阅读本节信息，并了解这些信息。有关更详细的信息，请参阅附录的“安全须知事项”。

- 1、请勿撞击、扔掷、针刺本产品，并避免跌落、挤压、弯曲。
- 2、请勿在浴室等潮湿的环境中使用本产品，并避免本产品被液体浸湿或冲洗。在禁止使用本产品的场所，或者使用本产品会引起干扰或危险时，请关闭本产品。
- 3、请勿在驾驶汽车时使用本产品，以免妨碍安全驾驶。
- 4、在医疗场所，请遵守有关规定或条例。在靠近医疗设备的区域，请关闭本产品。
- 5、在使用高精度的电子设备附近，请关闭本产品，否则可能导致电子设备故障。
- 6、请勿擅自拆卸本产品及配件，只有授权机构才可维修。
- 7、请勿将本产品及配件放置于具有强大电磁场的器具中。
- 8、请将本产品远离磁性设备，磁性设备的辐射会抹掉本产品上存储的信息。
- 9、请勿在高温处、有易燃气体的地方（如加油站附近）使用本产品。
- 10、使用本产品时，请遵守相关法律法规，并尊重他人隐私及合法权利。

目 录

版权声明	1
安全须知	2
目录	3
第一章.注册引导	4
第二章.产品概述	5
2.1 产品介绍	5
2.2 产品特色	5
2.3 产品参数	5
2.4 整机介绍	6
2.5 功能介绍	7
2.5.1 识别拷贝	7
2.5.2 门禁车库	7
2.5.3 芯片模拟	8
2.5.4 芯片生成	8
2.5.5 遥控生成	9
2.5.6 智能卡生成	9
2.5.7 线圈识别	9
2.5.8 遥控频率检测	10
2.5.9 特殊功能	10
2.6 升级	11
第三章.售后服务	12
保修服务卡	14

第一章：注册引导

注：开机后，请连接好 WIFI，进入注册流程。

新注册用户

- ①首次使用，请准备一台常用通话手机或邮箱协助完成登入激活流程，点击确定开始。
- ②机器开机进入注册激活流程。
- ③输入姓名、密码、确认密码、手机号码或邮箱账号，获取验证码、输入验证码提交注册。
- ④注册账号成功，绑定设备，约 5 秒。
- ⑤注册成功，进入系统。

已注册用户

- ①首次使用，请准备好已有账户对应的手机或邮箱完成注册激活流程，点击确定开始。
- ②机器开机进入注册激活流程。
- ③输入手机号码或邮箱账号、密码、获取验证码、输入验证码提交登录。
- ④登录账号成功，绑定设备，约 5 秒。
- ⑤注册成功，进入系统。

另，已经注册领世达产品的用户，可以直接通过“已注册用户”来进行激活使用。

第二章：产品概述

2.1 产品介绍

产品名称：KH100+ 全功能钥匙助手

产品介绍：KH100+是深圳市领世达科技有限公司推出的一款多功能智能钥匙手持设备，该设备包含了芯片识别拷贝、门禁钥匙拷贝、芯片模拟、芯片生成、遥控子机生成、智能卡子机生成、遥控功能、红外线信号检测、智能感应区查找、防盗系统检测、丰田智能卡解锁等特殊功能。

2.2 产品特点

- 1.现代化外观设计，符合大众用户操作习惯；
- 2.内置操作说明，让用户更容易熟悉功能使用；
- 3.几乎涵盖了市面同款产品所有功能；
- 4.内置超感器（超范围采集数据）；
- 5.率先支持 8A 类型（H 芯片）芯片生成；
- 6.内置 WIFI 模块，可随时连接网络工作。

2.3 产品参数

设备尺寸：193mm*88mm*24mm

屏幕尺寸：2.8 英寸

分辨率：320X240

电池：3.7V 2000mAh

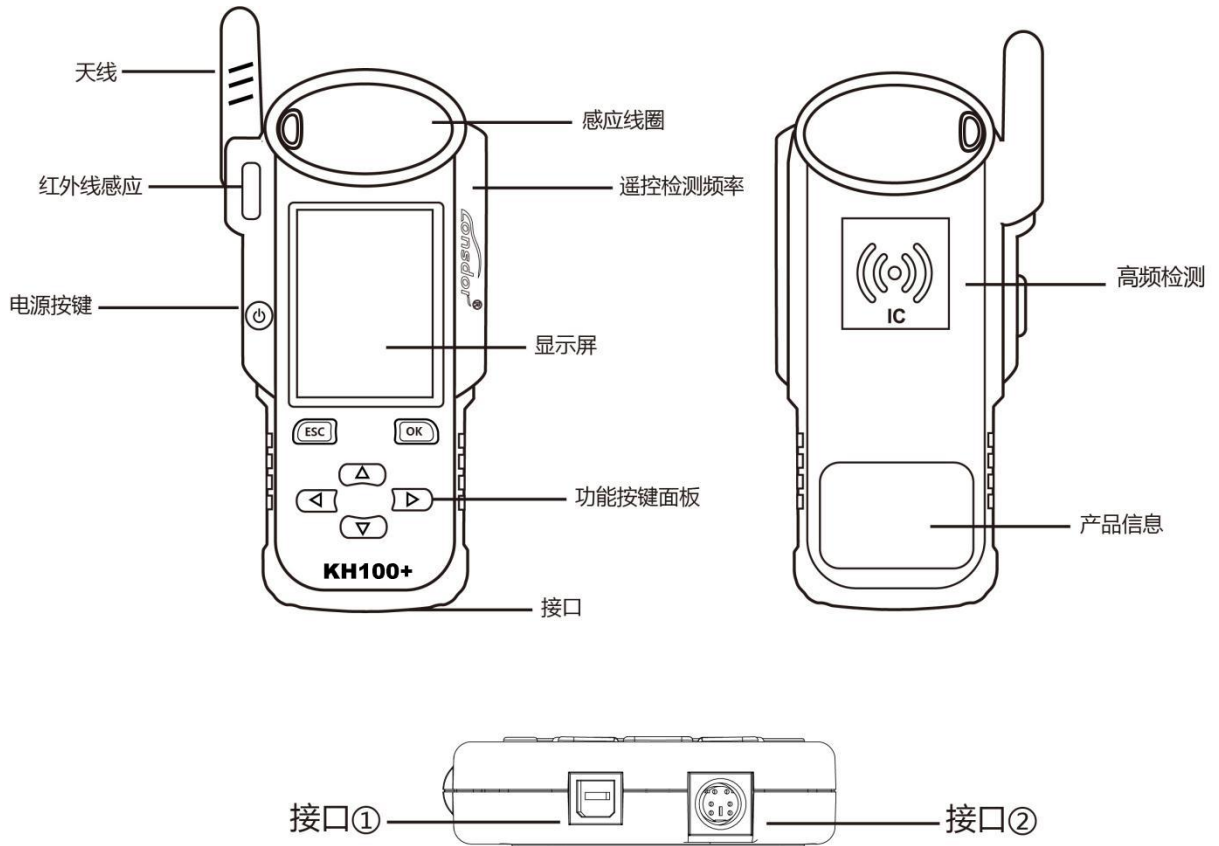
电源：5V 1A

工作温度：-5°C~60°C

USB：USB-B/充电-数据传输

子机线接口：PS2 公头插座+1.25mm 间距 6PIN 端子线

2.4 整机介绍



名称	说明
天线	感应模拟芯片和检测点火线圈
感应线圈	用于识别、拷贝、生成芯片，遥控器等
显示屏	2.8 英寸彩屏，分辨率：320X480
接口 1	USB-B 接口
接口 2	子机线接口
电源按键	长按 3 秒开机 长按 4 秒关机
遥控检测频率	将遥控器放置该位置，检测遥控器频率
高频检测	IC 卡识别和拷贝

2.5 功能介绍

完成注册激活后进入菜单界面，如下图：



2.5.1 识别拷贝

进入识别拷贝菜单，根据提示进行操作（如图）：



2.5.2 门禁钥匙

进入门禁钥匙菜单，根据提示进行操作（如图）：

进入门禁车库菜单，可以进行 IC 卡识别与拷贝，可以进行 ID 卡识别与拷贝，可以生成车库门钥匙。根据提示进行操作（如图）：



ID 卡识别



IC 卡识别

2.5.3 芯片模拟

将 KH100+ 天线放置点火开关处 (如图), 选择对应的芯片类型进行模拟操作, 本设备支持以下芯片类型:

- ①4D 芯片模拟 ②46 芯片模拟 ③48 芯片模拟 ④47 芯片模拟



2.5.4 芯片生成

将以下类型芯片放入感应槽中 (如图), 选择对应的芯片, 根据提示进行操作, 本设备支持以下芯片生成类型:

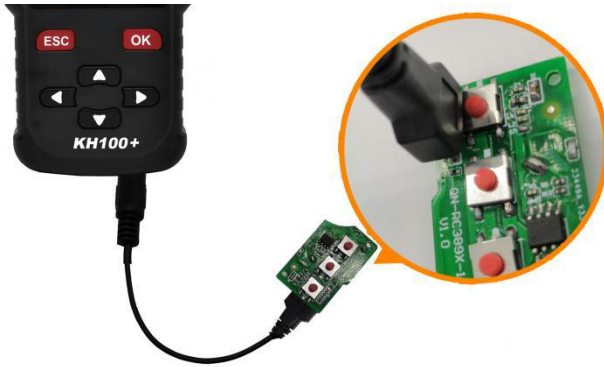
- ①4D 类型 ②46 类型 ③48 类型 ④T5 类型
⑤7935 类型 ⑥8A 类型 ⑦4C 芯片 ⑧芯片转换



注: 部分芯片数据将被覆盖并锁定。

2.5.5 遥控生成

使用子机线与遥控子机连接，进入遥控生成菜单，根据不同地区，选择相应的车型进行遥控生成操作（如图）：



2.5.6 智能卡生成

使用子机线与智能卡子机连接，进入智能卡生成菜单，根据不同地区，选择相应的车型进行智能卡生成操作（如图）：



2.5.7 线圈识别

①智能感应区查找

将 KH100+ 天线靠近预判的位置，如果识别到感应信号机器将连续发出声音，请检查位置是否正确（如图）：



②防盗系统检测

将 KH100+ 天线靠近钥匙识别线圈，将钥匙打开到 ON 位置，KH100+ 蜂鸣器发出声音说明识别到信号（如图）：



2.5.8 遥控频率检测

进入遥控频率检测菜单，将遥控器放置设备感应区进行遥控频率检测（如图）：



2.5.9 特殊功能

特殊功能包括：红外信号检测、丰田智能卡解锁、FT 智能钥匙、钥匙充电、后续会升级更多功能...

①红外信号检测

将遥控器放置红外信号检测区，按一下遥控器按键，KH100+ 屏幕中的灯亮表示有红外信号，反之无信号（如图）：



图一：有信号



图二：无信号

②FT 智能钥匙

针对领世达推出的 FT 系列丰田/雷克萨斯智能卡，可以进行读取版本信息、修改按键值、解锁和升级程序等相关功能操作。放入智能卡，点击“选择”进行相关操作（如图）：



③丰田智能卡解锁/状态检测

放入智能卡，点击“执行”进行相关操作（如图）：



④钥匙充电

针对可充电钥匙，可以进行充电。放入可充电钥匙，点击“确定”进行相关操作（如图）：



2.6 升级

进入设置菜单，连接 WIFI 后，选择检查更新，一键在线升级。

第三章：售后服务

1. 我司将为本产品提供优质的售后和约定范围内的保修服务；
2. 保修期为设备激活日起 12 个月止；
3. 产品一旦出售，非产品质量问题恕不接受退换；
4. 对超出保修范围的产品维护，我司将收取人工及材料成本费；
5. 若属于下列原因中的任何一种而导致设备出现故障或损坏的，我司有权不按照约定条款的内容提供服务（但您可以选择有偿服务）；
 - 整机及部件已经超过保修有效期的；
 - 非公司产品质量问题，经用户使用过发现的外观瑕疵或损坏的；
 - 非正品，无凭证，在我司官方后台系统无法认证设备信息的；
 - 未按本说明书指引操作、使用、存放、维护，而造成产品损坏的；
 - 私自拆动造成损坏、非我司认可的维修单位维修和改装造成的损坏的；
 - 进液、受潮、落水、或发霉的；
 - 新购设备开箱设备运行正常无任何损坏，而后期使用导致的任何屏幕损坏的，如爆屏、刮花、白点、黑点、丝线屏、触摸损坏等；
 - 因使用非我司提供的专用线具、配件而导致损坏的；
 - 因不可抗力造成损坏的；
 - 人为损坏的机器，若拆机报价后选择不进行修理，返回用户后机器出现的不稳定状况（如：无法开机、死机等问题）；
 - 自行破解系统导致设备系统性功能改变、不稳定、品质受损等；
6. 设备主要部件之外的辅助部件和其他部件出现故障的，您可以选择我司或我司授权的客户服务网点提供的有偿维修服务；
7. 本公司在收到客户返厂设备并确定设备问题后进行维修，请务必填写问题详细；
8. 维修结束后，将发回设备归还客户，客户务必填写真实准确的地址及联系电话；
9. 客户任何需返厂维修的，来回运送费用、交通费用等需自行承担，运送过程中导致设备损坏的，我司不承担相关费用，特殊情况下协助客户向运送单位追索赔偿；

10. 我司不以任何形式向个人客户提供销售发票，如您有需要，请向您购买的经销商申请开立；

11. 请客户妥善保管保修服务卡，返厂维修时填写此卡，以便我司办理相关工作手续：
（保修卡附说明书尾部）；

12. 售后服务热线: 400-966-9130;

微信: guopi0001 guopi0004;

服务时间: 周一至周日 9:00-12:00 13:30-18:00（节假日休息）；

官网: www.lonsdor.com



公众号二维码



官网二维码

保修服务卡

客户姓名: _____ (先生 /小姐)

联系电话: _____

客户地址: _____

设备型号: _____

序列号: _____

返厂附带配件 (详细): _____

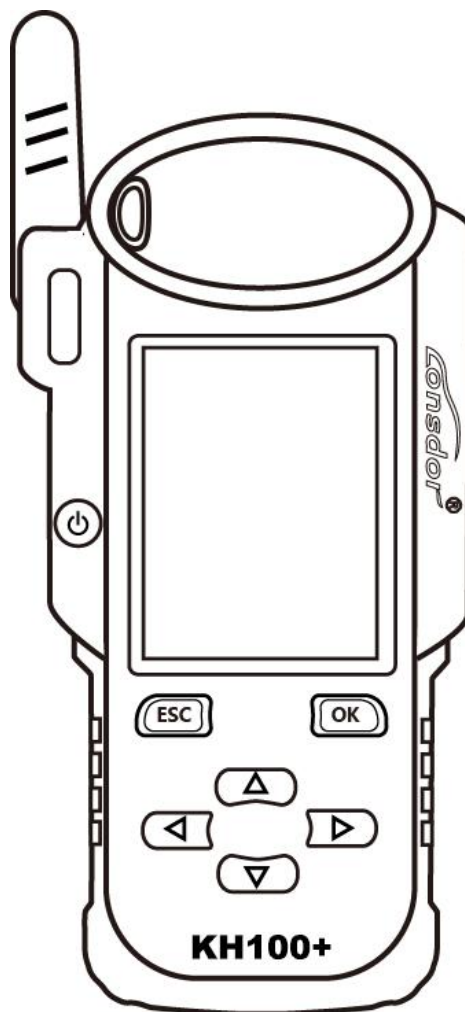
设备问题 (详细): _____

维修返厂时间: _____

本公司保留对以上条款的最终解释权。

KH100 +FULL-FEATURED KEY MATE

USER MANUAL



★ Please read this instruction manual carefully before use.

COPYRIGHT STATEMENT

All rights reserved!

The entire copyrights and intellectual property rights of Lonsdor, including but not limited to products or services issued by itself or co-issued with partner company, and the materials and software on the related websites of the company, are protected by law. Without the written permission of the company, no unit or individual may copy, modify, transcribe, transmit or bundle or sell any part of the above products, services, information or materials in any way or for any reason. Anyone who infringes the copyrights and intellectual property rights will be held accountable in accordance with the law!

Product

The Lonsdor KH100+ full-featured key mate and related materials are only used for normal vehicle maintenance, diagnosis and testing, and should not be used for illegal activities. If you use our products to violate laws and regulations, the company does not assume any legal responsibility. This product has certain reliability, but does not exclude the possible losses and damages, the risks arising from this shall be borne by the user, and our company does not bear any risks and liability.

Declared by: Lonsdor Dept of Legal Affairs

SAFETY INSTRUCTION

Before use this product, please read this instruction carefully to know how to use it properly.

- (1) Do not hit, throw, acupuncture the product, and avoid falling, squeezing and bending it.
- (2) Do not use this product in damp environment such as bathroom, and avoid it being soaked or rinsed with liquid. Please turn off the product in circumstances when it's forbidden to use, or if it may cause interference or danger.
- (3) Do not use this product while driving a car, so as not to interfere with safety driving.
- (4) In medical establishments, please follow the relevant regulations. In areas close to medical equipment, please turn off this product.
- (5) Please turn off this product near high-precision electronic equipment, otherwise the equipment may malfunction.
- (6) Do not disassemble this product and accessories without authorization. Only authorized institutions can repair it.
- (7) Do not place this product and accessories in appliances with strong electromagnetic fields.
- (8) Keep this product away from magnetic equipment. The radiation from magnetic equipment will erase the info/data stored in this product.
- (9) Do not use this product in places with high temperature or inflammable air environment(such as near gas station).
- (10) When using this product, please comply with relevant laws and regulations, and respect the privacy and legal rights of others.

CONTENT

COPYRIGHT STATEMENT	1
SAFETY INSTRUCTION	2
CONTENTS	3
1.0 Registration guide	4
2.0 Product overview	5
2.1 Product introduction	5
2.2 Product features	5
2.3 Product parameter	5
2.4 Device components	6
2.5 Function introduction	7
2.5.1 Identify Copy	7
2.5.2 Access Control Key	8
2.5.3 Simulate Chip	8
2.5.4 Generate Chip	9
2.5.5 Generate Remote	9
2.5.6 Generate Smart key(card)	9
2.5.7 Identify Coil	10
2.5.8 Remote Frequency	10
2.5.9 Special functions	11
2.6 Function introduction	12
3.0 After-sales service	13
Warranty card	15

1.0 Registration guide

Note: After booting the device, please connect to WIFI and enter the following process.

New user

- ① For the first use, please prepare a common call phone or email to help complete activation process, click OK to start.
- ② Boot the device and enter registration activation process.
- ③ Input user name, password. Confirm password, cellphone number or email to obtain verification code. Then input the code to submit registration.
- ④ Account registered successfully, it will take 5 seconds to bind the device.
- ⑤ Successful registration, enter the system.

Registered user (who has registered Lonsdor products before)

- ① For the first use, please prepare a registered call phone or email to help complete activation process, click OK to start.
- ② Boot the device and enter registration activation process.
- ③ Input your registered mobile number or email, password to obtain verification code. Then input the code to submit login.
- ④ Account login succeeded, it will take 5 seconds to bind the device.
- ⑤ Successful registration, enter the system.

In addition, users who have already registered Lonsdor' s product can directly choose [registered user] to activate account.

2.0 Product overview

2.1 Product introduction

Product name: KH100+ full-featured key mate

Description: KH100+ is a versatile handheld smart device, launched by Shenzhen Lonsdor Technology Co., which includes special features and functionality, such as: identify© chip, access card cloning, simulate chip, generate chip, generate remote (key), generate smart key(card), detect remote frequency, detect infrared signal, search induction area, detect IMMO, unlock Toyota smart key and etc.

2.2 Product features

- ※ Modern appearance design, in line with the operating habits of the public.
- ※ Device system comes with operation instructions, easier for you to use.
- ※ It covers almost all the functions of the similar products in the market.
- ※ Built-in super sensor to collect data(over-range data collection).
- ※ Exclusive support for 8A(H chip) generation.
- ※ Built-in WIFI module, can connect to network at any time.

2.3 Product parameter

Device dimension: 193MM*88MM*24MM

Screen size: 2.8 inch

Screen resolution: 320X240

Battery: 3.7V 2000MAH

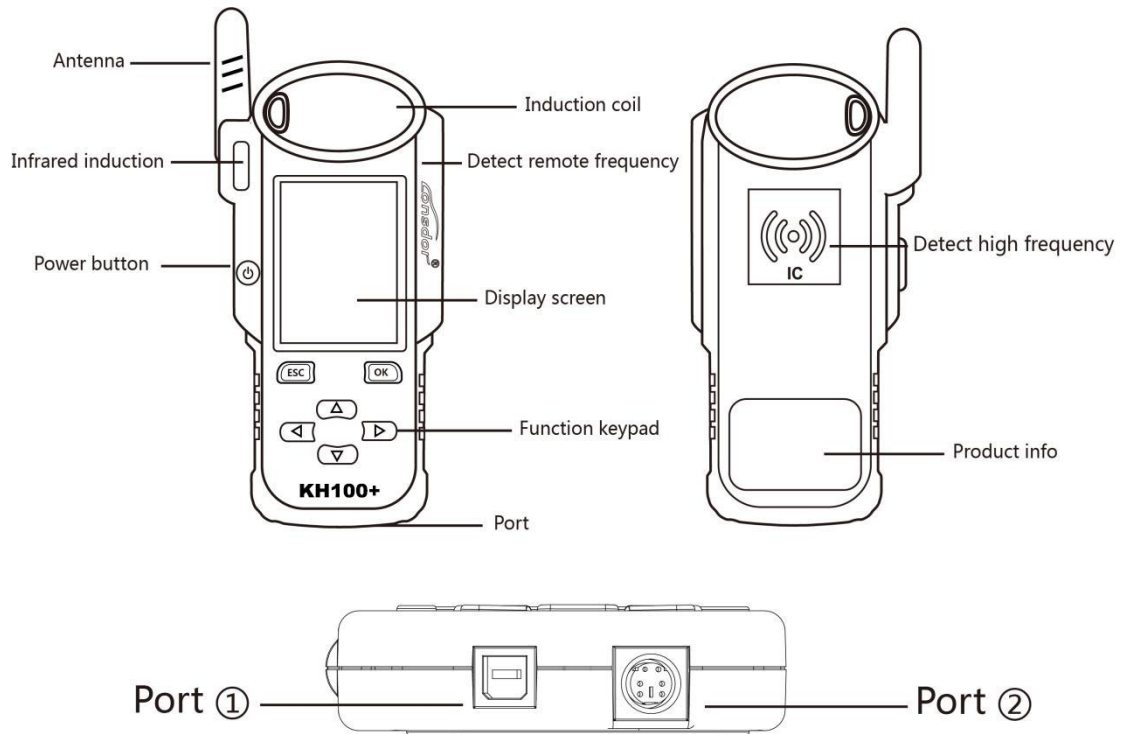
Power: 5V 1A

Work temperature: -5°C~60°C

USB: USB-B/charge-data transfer

Connector port: PS/2 +1.25mm spacing, 6PIN terminal

2.4 Device components



Name	Notes
Antenna	To induce simulated chip and detect ignition coil
Induction coil	To identify, copy, generate key chip or remote, etc.
Display screen	2.8-inch color screen, resolution: 320X480
Port 1	USB-B port
Port 2	Dedicated port for remote's connector
Power button	Long press 3s to boot. Long press 4s to shut down.
Remote frequency detection	Put remote in this position to detect its frequency.
High-frequency detection	To identify and copy IC card.

2.5 Function introduction

When complete the registration activation, it enters below menu interface:



2.5.1 Identify Copy

Enter this menu, follow system prompts to operate (as shown).



2.5.2 Access card cloning

Enter this menu, you can identify and copy IC card, and generate garage key as well. Follow the prompts to operate(as shown below).



Identify ID card



Identify IC card

2.5.3 Simulate Chip

Put KH100+' s antenna at the ignition switch(as shown), choose the corresponding chip type to simulate. This device supports below chip types:

- ①4D ②46 ③48 ④47



2.5.4 Generate Chip

Put below types of chip into the induction slot(as shown), choose the corresponding chip to operate according to the prompts.

This device supports below chip types:

- ①4D ②46 ③48 ④T5
- ⑤7935 ⑥8A ⑦4C ⑧Chip conversion



Note: some chip data will be covered and locked.

2.5.5 Generate Remote

Enter [Generate key]->[Generate remote], choose the corresponding vehicle type to generate remote control(as shown) according to different regions.



2.5.6 Generate Smart key(card)

Enter [Generate key]->[Generate smart key] menu, choose the corresponding vehicle type to generate smart key/card(as shown) according to different regions.



2.5.7 Identify Coil

① Search smart induction area

Connect remote key with remote connector, Put KH100+' s antenna close to the pre-determined position. If inductive signal is identified, the device will continuously make sounds, please check if the position is right(as shown below).



② Detect IMMO

Connect remote key with remote connector, Put KH100+' s antenna close to key identification coil, and use key to turn ignition ON. When KH100+ buzzer beeps, it means signal is detected.



2.5.8 Remote Frequency

Enter this menu, put remote control at the device' s induction area to detect remote frequency.



2.5.9 Special function

① Include: detect infrared signal, unlock Toyota smart key, FT Toyota smart key, Charge key,
More functions, to be continued...

② Detect infrared signal

Put remote control at the infrared signal detection area, press the remote's button once. When the light on KH100+'s screen is on, it indicates there is infrared signal, otherwise there is no signal(see below pic).



P1: signaled



P1: no signal

③ FT smart key

For Toyota or Lexus smart keys from Lonsdor, you can perform the following functional operations: read version info, modify key value, unlock and upgrade program and etc. Put in the smart key, click [select] to operate.



④ Unlock Toyota smart key/detect Toyota key status

Put in the smart key, click OK to operate.



⑤ Charge key

For a chargeable key with battery, you can perform this function. Put in the key, click [OK] to operate.



2.6 Upgrade

Enter settings menu, and connect the device to network, then choose [check for updates], one-click online upgrade.

3.0 After-sales service

(1) Our company will provide you with excellent after-sales service and warranty service within agreed time.

(2) The warranty period lasts 12 months from device activation date.

(3) Once the product is sold, the return and refund will not be accepted if there is no quality problem.

(4) For product maintenance beyond the warranty period, we will charge labor and material costs.

(5) If the device is faulty or damaged due to any of the following reasons, we reserve the right not to provide service based on the agreed terms (but you can choose paid service).

※ The device and components are beyond the warranty period.

※ Users find that the product appearance is flawed or damaged, but has no quality problem.

※ Counterfeit, without certificate or invoice, our official back-end system can not authenticate the device info.

※ The product is damaged due to not following the instructions in this manual for operation, use, storage, and maintenance.

※ Damage caused by personal disassemble or damage during repairing or maintenance by unauthorized third party.

※ Liquid inflow, moisture, falling into water or mildewing.

※ The newly purchased device works normally without any damage when unpacked for the first time. But with the prolonged time of use, screen damage occurs, such as screen explosion, scratching, white spots, black spots, silk screen, touch damage, etc.

※ The use of special tools and accessories not provided by our company.

※ Force majeure.

※ For the man-made damaged device, if you decide not to repair after we disassemble it and make a quotation, the device appears unstable condition (such as: unable to boot, crash, etc) when you receive it.

※ Private cracking of the system causes function changes, instability, and quality damage.

(6) If the auxiliary parts and other parts (other than the main components of the device) are faulty, you can choose the paid repair service provided by our company or our authorized customer service outlets.

(7) We will perform repair after receiving your device and confirming its problems, so please fill in the problems in details.

(8) After repair finished, we will return the device to customer, so please fill in the correct delivery address and contact number.

(9) Customers who need to send the device for repair, shall bear the cost, such as round-trip delivery cost, transportation cost and etc. If the device is damaged in the process of delivery, our company will not bear relevant fees. In particular cases, we will assist the customer to claim for compensation against the shipping company.

(10) We do not provide sales invoice to individual in any form. If need it, please ask the dealer you purchased from to invoice you.

(11) Please keep the warranty card properly, and fill in the card when returning your device for repair, so that we can deal with the relevant work procedures (the warranty card attached to the end of the manual).

(12) Service Hours: Monday to Saturday:
9:00-12:00 13:30-18:00; legal holidays excluded.

Email: service@lonsdor.com

Product Warranty Card

Customer name: _____ (Mr/Ms)

Phone No. : _____

Customer address: _____

Device model: _____

Serial No. : _____

Returned items (details): _____

Problem description in details: _____

Sending date: _____

(Note: our company reserves the final interpretation right for the above terms.)